

Module 2

Practical Woodwork - Basic Tools & Joining Techniques

Assessment

Name		Work Location		
Local Authority				
Assessor(s)				
Result		%	Pass	Fail
Comment				

This question paper is the property of SSERC and is to be returned after the assessment.

Read the following notes **BEFORE** you answer any questions.

- You must use a pen with black or blue ink to complete ALL parts of the answer sheet.
- Ensure that you complete the details at the bottom of the answer sheet. (Please print your name as you would like it to appear on your certificate).
- The multiple choice questions show FOUR possible answers; only ONE is correct. Decide which one is correct and mark your answer with your pen by ticking your choice.
- If you want to change your answer, put a diagonal line through your first choice like this and tick the answer which you have now decided is correct.
- Attempt all questions. If you find a question difficult, leave it and return to it later.

This paper has 2 sections containing a total of 27 questions. Section 1 consists of 26 multiple choice questions with 1 mark for each correct answer given. Section 2 has 7 questions requiring short written answers and marks awarded for each correct answer are shown beside each question.

The total number of marks available is 48.

Answer each section using the space provided in the corresponding numbers on the answer sheet.

You must attain a combined mark of at least 70% in order to pass.

2021



SECTION 1

1. The diagram illustrates a



- sliding bevel
- combination square
- centre square
- try square

2. For marking a mitre which of the following instruments should be used?

- steel rule
- sliding bevel
- combination square
- try square

3. A marking gauge is used to mark a

- straight line
- parallel line
- mortise
- curve

4. The stock of a try square is usually made from

- teak
- rosewood
- ash
- mahogany

5. The instrument shown below is called a

- mortice gauge
- cutting gauge
- marking gauge
- surface gauge

6. The teeth of a saw is set

- to keep the saw sharp
- to prevent the blade from jamming in the kerf
- to prevent the material from splitting
- to give a more accurate saw cut

7. A piece of rough timber 50 x 100 x 1500 is to be sawn in half. Which type of saw should be used?

- panel saw
 rip saw
 crosscut saw
 tenon saw

8. A rip saw is used to saw

- parallel to the grain of timber
 across the grain of timber
 acrylic sheet
 plywood

9. The picture shown below illustrates a



- dovetail saw
 junior hacksaw
 gents saw
 pad saw

10. A coping saw should be used for

- sawing timber joints
 cutting polystyrene
 cutting metal
 sawing curves in thin timber

11. The tenon saw has a backing rib

- to stiffen the blade
 to make the saw heavier
 to aid quicker sawing
 for better appearance

12. The picture shown below illustrates a



- bow saw
 coping saw
 dovetail saw
 compass saw

13. The function of a leather washer between the shoulder of the blade and handle in a mortice chisel is to

- straight line
- parallel line
- mortise
- curve

14. The adjusting nut in a bench plane is used to control the

- thickness of shaving
- width of shaving
- type of shaving
- texture of shaving

15. On a bench plane the lever cap is used to

- set blade
- adjust blade
- hold blade in position
- angle the blade

16. The body of a metal bench plane is made from

- mild steel
- cast steel
- aluminium
- brass

17. The length of a smoothing plane is

- 225mm
- 450mm
- 350mm
- 375mm

18. What type of plane should be used to plane the edge of a piece of timber 25 x 100 x 2000

- jack plane
- trying plane
- smoothing plane
- hand plane

19. What type of plane should be used to smooth the bottom of a through housing to the correct depth?

- rebate plane
- block plane
- router
- plough plane

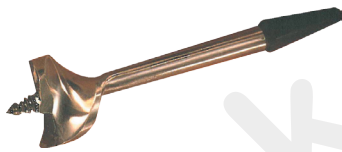
20. A block plane is used for

- trimming end grain
- planing a smooth surface
- planing a chamfer
- removing raised edge

21. A flat faced spokeshave is used on timber for planing

- concave surfaces
- flat surfaces
- convex curves
- interlocking grain

22. The bit shown below is called



- a forstner bit
- an auger bit
- a countersink bit
- a centre bit

23. To bore a clean flat bottom hole in timber the bit used should be a

- countersink bit
- twisit drill
- forstner bit
- centre bit

24. The hammer shown below is a



- ball pein hammer
- cross pein hammer
- planishing hammer
- claw hammer

25. The type of hammer best suited to driving in small nails and panel pins is called a

- claw hammer
- cross pein hammer
- ball pein hammer
- sledge hammer

26. When holding work down on top of the bench you should use a

- engineers vice
- hand
- g clamp
- z clamp

Total 26

SECTION 2

1. What major safety precaution must ALWAYS be observed when using a bevelled edge chisel?

(1)

2. Name three adjustment parts of a steel smoothing plane

1. _____
2. _____
3. _____

(3)

3. Name the type of plane used to cut a groove in a piece of timber.

(1)

4. Name the type of tool used to make a small hole in timber to start a woodscrew.

(1)

3. Name three different types of abrasive paper used in woodworking.

- 1. _____
- 2. _____
- 3. _____

(3)

4. Sketch a try square, describe how it is used when squaring a line around a piece of prepared wood before cutting off waste.

(4)

5. Name each of the common tools shown and beside each sketch give a brief note of its use.



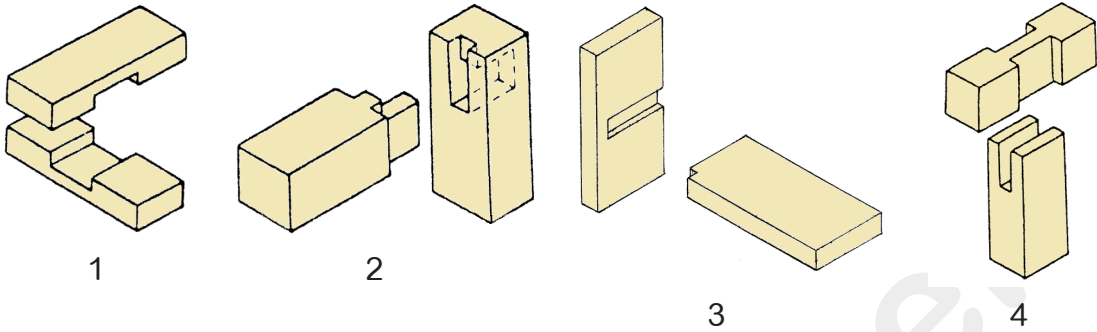
(4)



6. What does PVA stand for

(1)

7. Name each of the woodworking joints shown below



- 1. _____
- 2. _____
- 3. _____
- 4. _____

(4)

Total 22

OVERALL TOTAL 48

END OF ASSESSMENT

Mock Assessment

Mock Assessment

2 Pitreavie Court South Pitreavie Business Park Dunfermline KY11 8UB Telephone 01383 626 070 e-mail sts@sserc.org.uk www.sserc.scot

SSERC is a Company Limited by Guarantee (Scottish Company No. SC131509) and a registered educational charity (Scottish Charity No. SCO17884)
Registered Office 5th Floor, Quatermile Two, 2 Lister Square, Edinburgh EH3 9GL.



Chief Executive Officer: Alastair MacGregor BA, PGCE, FIFST